

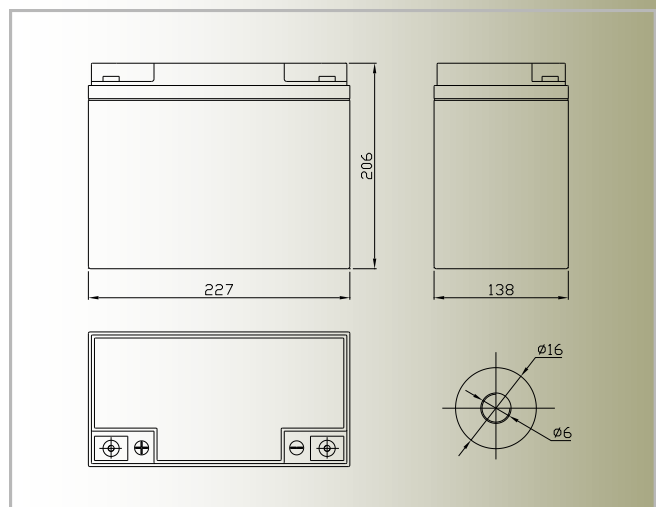
# GLP 55-12

## Compliance with standards

PN-EN 60896-21:2007  
 PN-EN 60896-22:2007  
 PN-EN 61056-1:2008  
 PN-EN 61056-2:2003(U)  
 PN-E-83016:1999



## Dimensions



## Specification

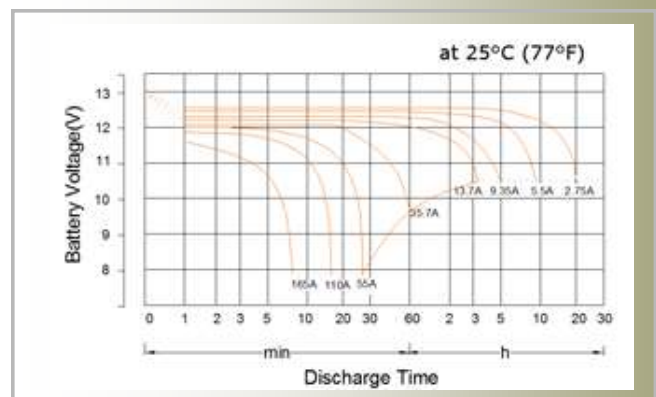
Nominal voltage	12V	
Nominal capacity	55.0 Ah	
Dimensions	Length	227 mm
	Width	138 mm
Case material ABS/(UL94-HB) UL94-V0 optional	Height	206 mm
	Total height	206 mm
	Weight	16.3 kg

## Characteristic

Capacity at 25°C and 10.0V cut off voltage	20h	55.0 Ah
	5h	47.0 Ah
	1h	36.0 Ah
Internal resistance	Fully charged	9.0 mΩ
Capacity	for 20°C	100%
	for 0°C	85%
	for -15°C	65%
Self discharge	3 months	91%
	6 months	82%
	12 months	64%
Terminal	M6	
Charging	Buffer	13.50-13.80V
	Cyclical	14.40-15.00V
Max. charging current	16.5 A	
Max. discharge current	450 A (5 sec.)	

Working temperature:  
 Discharging: -20°C ÷ 50°C  
 Charging: -10°C ÷ 50°C  
 Storing: -20°C ÷ 50°C

## Discharge characteristic at 25 °C



# GLP 55-12

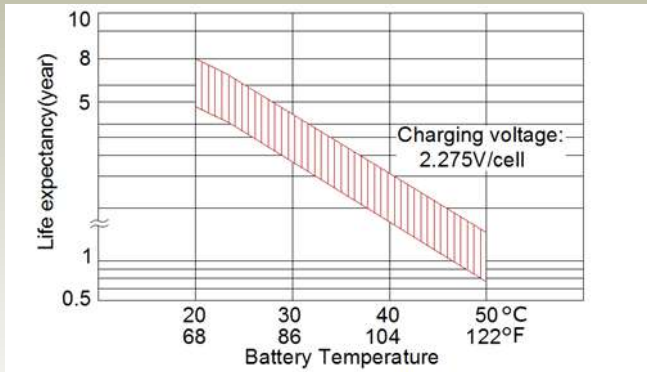
## 12V 55Ah

### Zgodność z normami

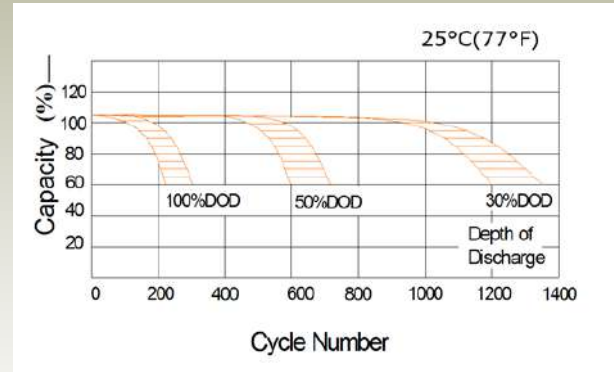
PN-EN 60896-21:2007  
 PN-EN 60896-22:2007  
 PN-EN 61056-1:2008  
 PN-EN 61056-2:2003(U)  
 PN-E-83016:1999



Battery life for buffer work



Battery life for cyclic work



Constant current discharge characteristics (A, 25°C)

F.V/Time	5min	10min	15min	30min	45min	1h	2h	3h	5h	8h	10h	20h
9.60V	193	154	110	63.3	45.1	35.8	19.3	14.0	9.46	6.22	5.17	2.81
9.90V	187	149	105	62.2	44.6	35.5	19.1	13.9	9.41	6.22	5.17	2.81
10.20V	176	138	99.0	60.5	44.0	35.2	19.0	13.8	9.35	6.16	5.12	2.75
10.50V	154	116	93.5	57.2	43.5	34.7	18.7	13.6	9.35	6.11	5.12	2.75
10.80V	138	99	88.0	49.5	42.9	34.1	18.2	13.2	9.24	6.11	5.01	2.70

Constant power discharge characteristics (Watt, 25°C)

F.V/Time	5min	10min	15min	30min	45min	1h	2h	3h	5h	8h	10h	20h
9.60V	2106	1692	1212	738	515	413	222	161	110	72.6	60.6	33.0
9.90V	2022	1620	1146	714	508	406	220	160	109	72.0	60.0	33.0
10.20V	1920	1524	1098	678	502	406	218	160	108	72.0	60.0	32.7
10.50V	1686	1290	1038	636	495	400	216	158	108	71.4	59.4	32.0
10.80V	1506	1158	978	551	488	393	209	153	107	71.4	58.4	31.4