



# MWL 150-12

## 12V 150Ah

### Compliance with standards

EN 60896-21:2007  
 EN 60896-22:2007  
 EN 61056-1:2008  
 EN 61056-2:2003(U)  
 E-83016:1999

Batteries MW Power type MWL are designed for use mainly in emergency power systems e.g. UPS, emergency lighting, automation systems. The batteries can also be used in applications, where they operate cyclically. For discharges of 50% can reach 400 cycles.

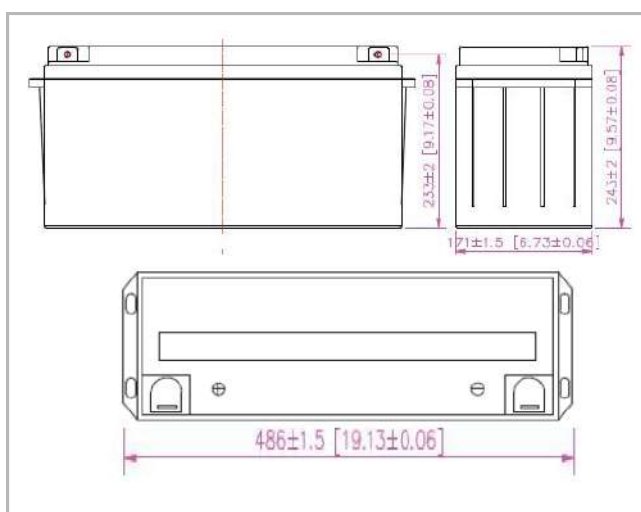
Designed service life 10-12 years to range of 20-25 °C.



### Specification

Nominal voltage	12V	
Capacity C20	150 Ah	
Dimensions	Length	485 mm
	Width	171 mm
	Height	233 mm
	Total height	243 mm
Weight	46,0 kg	

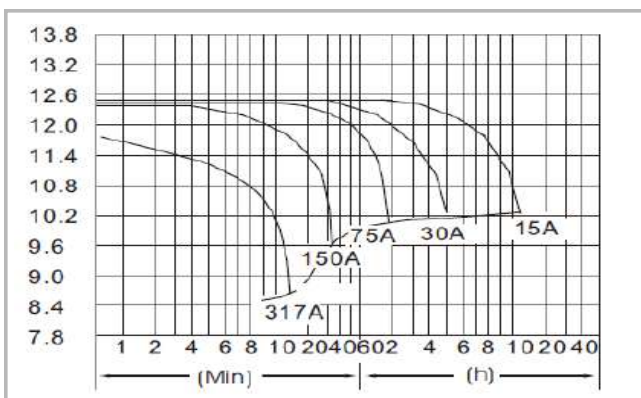
### Dimensions



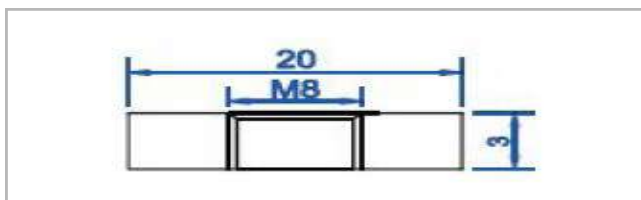
### Characteristic

Capacity for 25 °C and cut-off voltage 10.5 V	20h	150 Ah
	10h	145 Ah
	5h	120 Ah
Internal resistance	charged battery	3,5 mΩ
Capacity	for 20°C	100%
	for 0°C	85%
	for -15°C	65%
Self-discharge	3 m-ths	91%
	6 m-ths	82%
	12 m-ths	64%
Terminal	Insert M8	
Charging	Stanby use	13,50-13,80V
	Cyclic use	14,40-15,00V
Max. charge current	46,0 A	
Max. discharge current	1400 A (5 sec.)	

### Input-discharge at 25 °C



### Terminal



SALES OFFICE: WARSZAWA UL. STANIEWICKA 14 TEL. 32 44 00 960 FAX 32 44 00 873 E-MAIL: HANDEL@MPLENERGY.PL